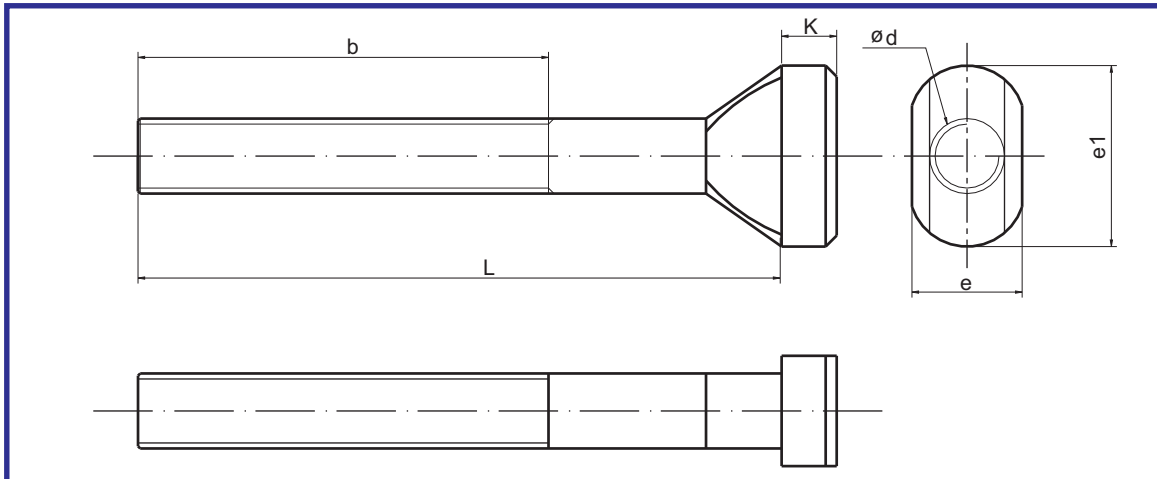


# Clamping Elements





## ► T-Bolt



**Material :-** En8d

**Hardness :-** Core 28-30 HRC (Toughened)

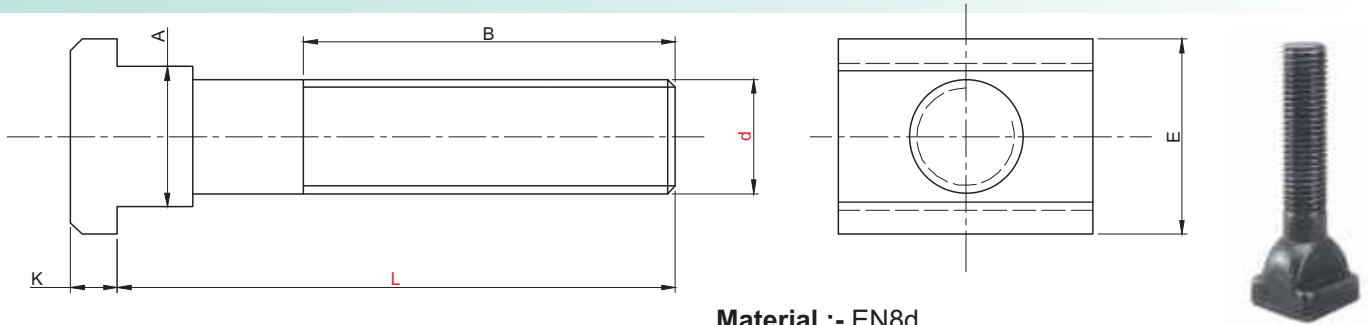
**Surface Treatment :-** Blackodised

CODE	SIZE Ø d	WIDTH e	HEAD DIA. e1	COLLAR K	LENGTH L	THREAD LENGTH b
T-BOLT M 8X50					50	30
T-BOLT M 8X60	M8	13	26	6	60	35
T-BOLT M 8X80					80	40
T-BOLT M 8X100					100	60
T-BOLT M 10X50					50	30
T-BOLT M 10X60					60	35
T-BOLT M 10X80	M10	15	30	6	80	40
T-BOLT M 10X100					100	60
T-BOLT M 10X125					125	80
T-BOLT M 12X60					60	35
T-BOLT M 12X80					80	40
T-BOLT M 12X100	M12	18	24	7	100	60
T-BOLT M 12X125					125	80
T-BOLT M 12X160					160	100
T-BOLT M-16X100					100	60
T-BOLT M-16X125	M16	25	32	9	125	80
T-BOLT M-16X160					160	100
T-BOLT M-16X200					200	125
T-BOLT M-16X250					250	155
T-BOLT M-16X300					300	190
T-BOLT M-20X100					100	65
T-BOLT M-20X125					125	80
T-BOLT M-20X160	M20	32	40	12	160	100
T-BOLT M-20X200					200	125
T-BOLT M-20X250					250	155
T-BOLT M-20X300					300	190
T-BOLT M-24X100					100	65
T-BOLT M-24X125					125	80
T-BOLT M-24X160	M24	40	48	16	160	100
T-BOLT M-24X200					200	125
T-BOLT M-24X250					250	155
T-BOLT M-24X300					300	190

**Order Type :-** Code

**Example :-** T-Bolt M-20X250

## ► T-Bolt - Heavyduty



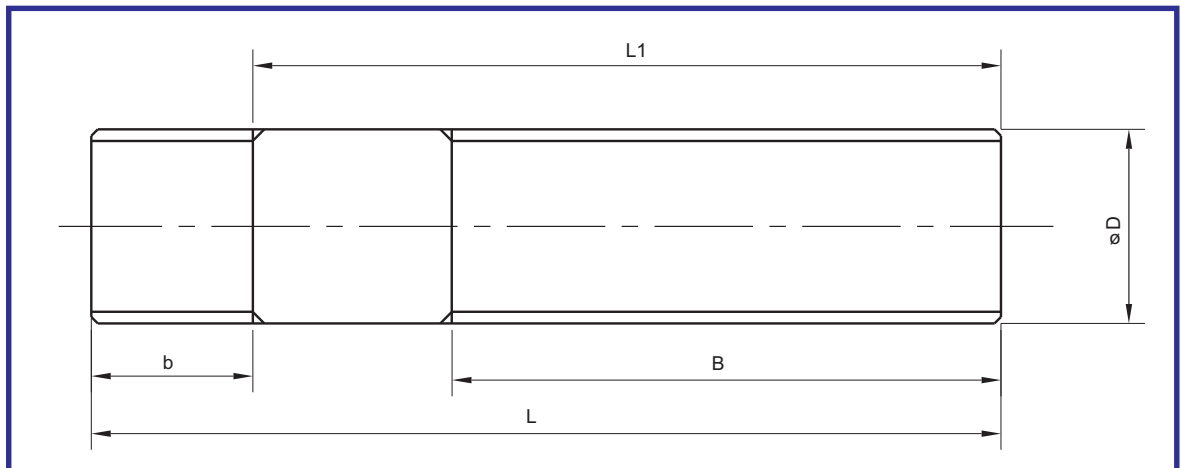
Material :- EN8d  
Hardness :- 28 - 32 HRC

Type	A Suitable for t-Bolt size	E	K	L	d Thread size	B	N.W Kgs
T-Bolt Heavy	12	18	7	80	M12	40	0.08
				100		60	0.1
				160		100	0.14
	14	22	8	60	M12	35	0.09
				80		55	0.1
				100		65	0.12
				125		80	0.14
				160		100	0.16
				200		125	0.19
	16	25	9	80	M16	40	0.17
				130		80	0.23
				200		125	0.33
	18	28	10	80	M16	55	0.19
				100		65	0.22
				130		80	0.25
				160		100	0.29
				200		125	0.35
				250		155	0.4
				290		175	0.47
	20	32	12	110	M20	70	0.35
				150		95	0.43
				210		130	0.55
	22	35	14	110	M20	70	0.4
				150		95	0.48
				210		130	0.6
				285		170	0.76
	24	40	16	150	M24	95	0.68
				210		130	0.87
28	44	18	110	M24	65	0.67	
			150		95	0.79	
			210		130	0.96	
			250		160	1.1	
			300		190	1.23	
36	54	22	200	M30	130	1.52	
			250		150	1.77	
			300		190	2.02	

Order Type :- Type X d X L

Example :- T Bolt Heavy X M24 X 160

## ► Stud



**Material :-** En8d

**Hardness :-** Core 28-30 HRC (Toughened)

**Surface Treatment :-** Blackodised

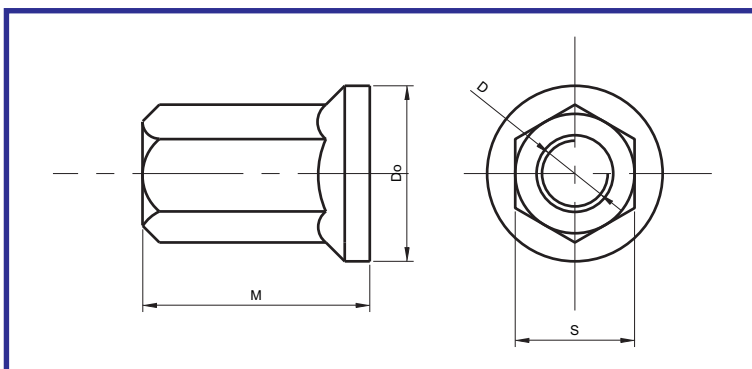
**Order Type :-** Code

**Example :-** Stud M20X125

Code (DXL)	B	b	L1	D
Stud M8x40	20	11	29	M8
Stud M8x50	25	11	39	M8
Stud M8x65	40	11	54	M8
Stud M8x100	63	11	89	M8
Stud M10x50	25	13	39	M10
Stud M10x80	50	13	69	M10
Stud M10x100	63	13	87	M10
Stud M10x125	75	13	112	M10
Stud M12x50	25	15	35	M12
Stud M12x65	35	15	50	M12
Stud M12x80	50	15	65	M12
Stud M12x100	63	15	85	M12
Stud M12x125	75	15	110	M12
Stud M12x160	100	15	145	M12
Stud M12x200	125	15	185	M12

Code (DXL)	B	b	L1	D
Stud M16x65	40	15	46	M16
Stud M16x80	50	19	61	M16
Stud M16x100	63	19	81	M16
Stud M16x125	75	19	106	M16
Stud M16x160	100	19	146	M16
Stud M16x200	125	19	181	M16
Stud M16x250	160	19	231	M16
Stud M20x80	32	19	53	M20
Stud M20x125	70	27	98	M20
Stud M20x200	125	27	173	M20
Stud M20x315	190	27	288	M20
Stud M24x100	45	27	65	M20
Stud M24x160	100	35	125	M20
Stud M24x250	160	35	215	M20
Stud M24x400	250	35	365	M20

## ► Flange Nut



**Material :-** En8d

**Hardness :-** Toughened 28-32 HRC (Toughened)

**Surface Coating :-** Blackodised.

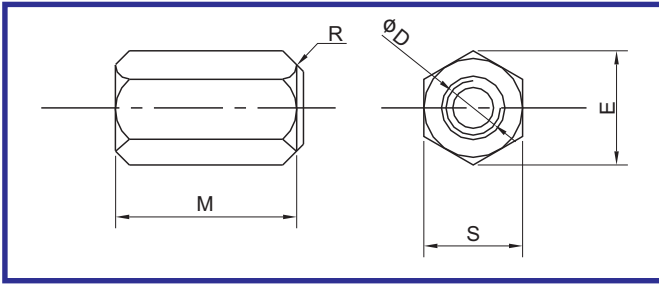


**Order Type :-** Flange Nut -Code

**Example :-** Flange Nut - M20

Code	D	Do	M	S
M12	M12	25	18	19
M16	M16	32	24	24
M20	M20	40	30	30
M24	M24	47	36	36

## ► Hex Nut



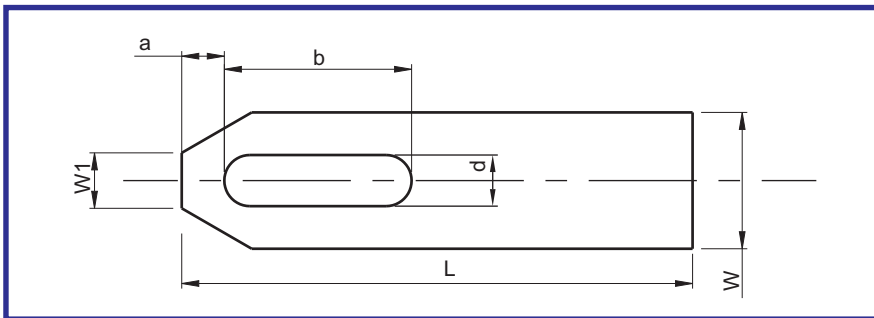
**Material :-** En8d  
**Hardness :-** Core 28-30 HRC (Toughened)  
**Surface Treatment :-** Blackodised

Code	D	M	D1	S	E	R
Hex Nut M8	M8	12	9	13	15.0	11
Hex Nut M10	M10	15	11.5	17	19.6	15
Hex Nut M12	M12	18	14	19	21.9	17
Hex Nut M16	M16	24	18	24	27.7	22
Hex Nut M20	M20	30	22	30	34.6	27
Hex Nut M24	M24	36	26	36	41.6	32



**Order Type :-** Code  
**Example :-** Hex Nut M24

## ► Strap Clamp



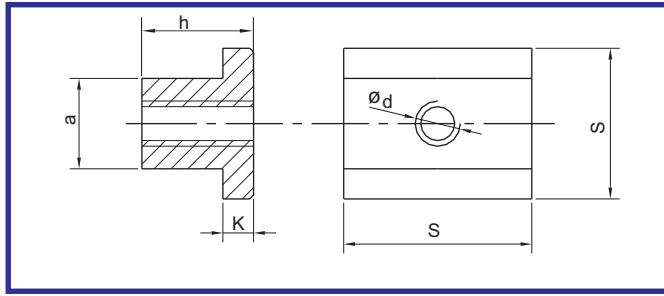
**Material :-** C45  
**Surface Treatment :-** Blackodised

**Order Type :-** Code  
**Example :-** M12X125



Code	For Bolts of	d	L	a	b	h	w	w1
M8X60	M 8	9	60	13	22	12	25	10
M10X80	M10	11	80	15	30	16	30	12
M12X100	M 12	14	100	21	40	20	40	14
M12X125	M 12	14	125	21	50	20	40	14
M16X125	M 16	18	125	26	45	25	50	18
M16X160	M 16	18	160	26	65	25	50	18
M20X160	M 20	22	160	30	60	30	60	22
M20X200	M 20	22	200	30	80	30	60	22
M24X250	M 24	26	250	35	105	40	70	26

## ► T Nut



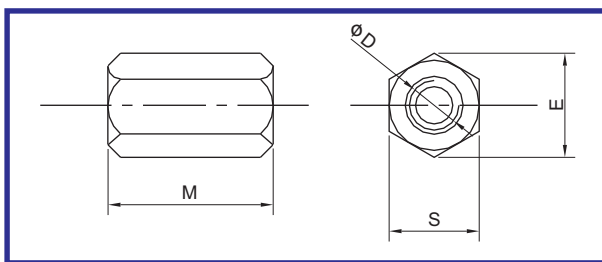
**Material :-** En8d  
**Hardness :-** Core 28-30 HRC (Toughened)  
**Surface Treatment :-** Blackodised

Code	a	d	s	h	k
T Nut M8	10	M8	15	12	6
T Nut M10	12	M10	18	14	7
T Nut M12	14	M12	22	16	8
T Nut M12 B	16	M12	25	18	9
T Nut M16	18	M16	28	20	10
T Nut M16 B	20	M16	32	24	12
T Nut M20	22	M20	35	28	14
T Nut M24	28	M24	44	36	18



**Order Type :-** Code  
**Example :-** T Nut M16

## ► Extension Nut



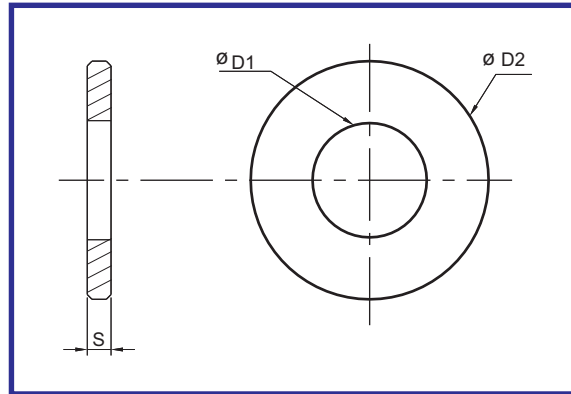
**Material :-** En8d  
**Hardness :-** Core 28-30 HRC (Toughened)  
**Surface Treatment :-** Blackodised

Code	D	M	S	E
Extension Nut M8	M8	24	13	15.0
Extension Nut M10	M10	30	17	19.6
Extension Nut M12	M12	36	19	21.9
Extension Nut M16	M16	48	24	27.7
Extension Nut M20	M20	60	30	34.6
Extension Nut M24	M24	72	36	41.6



**Order Type :-** Code  
**Example :-** Extension Nut M20

## ► Washer

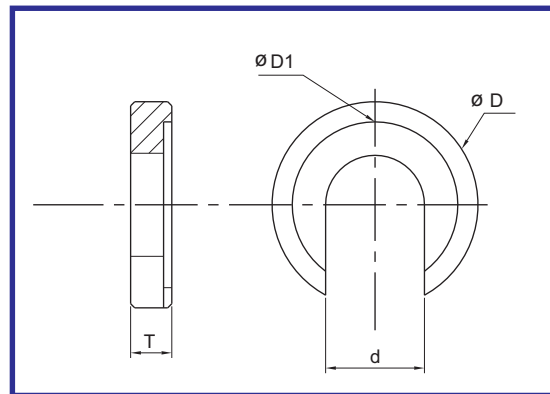


**Material :-** En8d  
**Surface Treatment :-** Blackodised

Code	Bolt Size	D1	D2	S
Washer M8	M8	8.4	23	4
Washer M10	M10	10.5	28	4
Washer M12	M12	13	35	5
Washer M16	M16	17	45	6
Washer M20	M20	21	50	6
Washer M24	M24	25	60	8

**Order Type :-** Code  
**Example :-** Washer M12

## ► C Washer



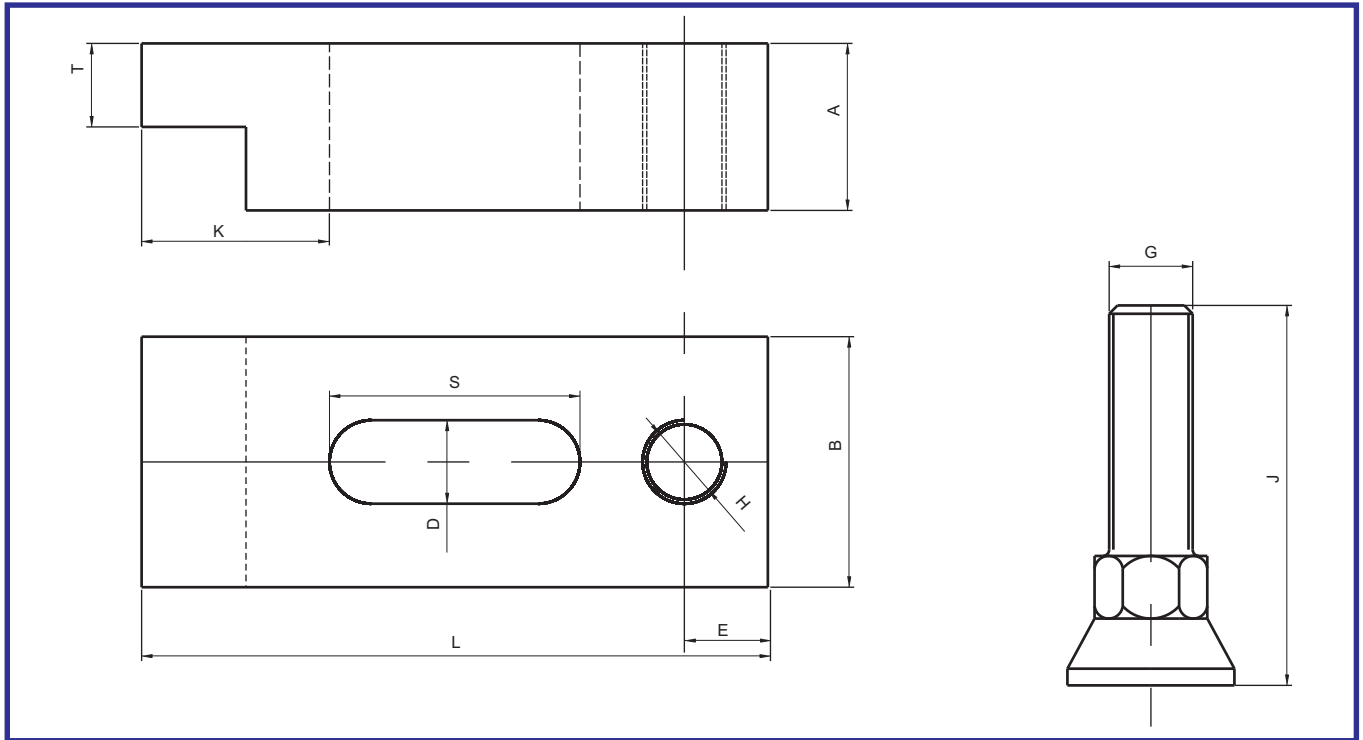
**Material :-** En8d  
**Surface Treatment :-** Blackodised

Code	Bolt Size	D	d	D1	T	L
C-Washer M8	M8	28	8.4	21	7	1.0
C-Washer M10	M10	34	10.5	25	8	1.2
C-Washer M12	M12	40	13	30	9	1.8
C-Washer M16	M16	56	17	37	12	1.8
C-Washer M20	M20	64	21	45	14	2.0
C-Washer M24	M24	75	25	52	16	2.0

**Order Type :-** Code  
**Example :-** C-Washer M12



## ► Mould Clamp With Heavy Support Bolt (PMCH)



**Material :-** En8d

**Hardness :-** Core 28 - 30 HRC (Toughened)

**Surface Treatment :-** Blackodised

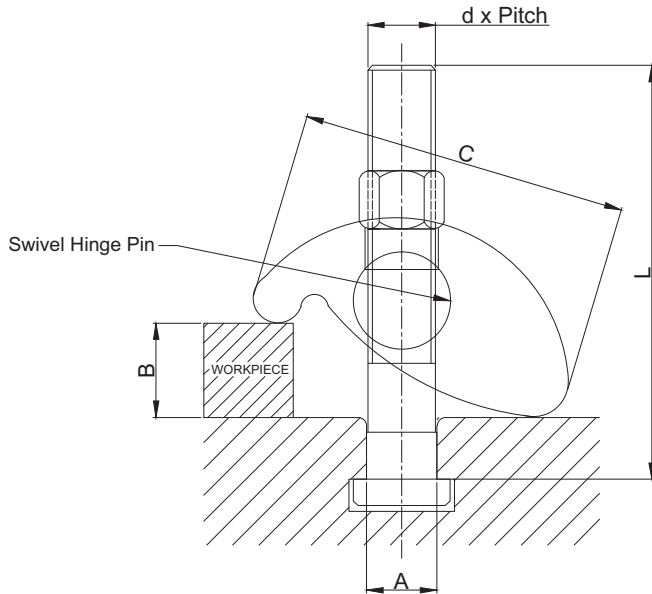


Code	BOLT SIZE	A	B	DxL	S	T	K	H	E	Support Bolt	
										GXJ	Hex A/F
										X Base	
PMCH- 12115S	M12	24	38	14X115	65	15	20	M16	15	M16x55L	19X35
PMCH- 12115L	M12	24	38	14X115	65	15	20	M16	15	M16X90L	19X35
PMCH- 16130S	M16	31	48	18X130	70	20	25	M20	18	M20X60L	24X40
PMCH- 16130L	M16	31	48	18X130	70	20	25	M20	18	M20X90L	24X40
PMCH- 16160S	M16	31	48	18X160	90	20	30	M20	20	M20X60L	24X40
PMCH- 16160L	M16	31	48	18X160	90	20	30	M20	20	M20X90L	24X40
PMCH-20140S	M20	38	60	22X140	70	25	35	M24	18	M24X60L	27X50
PMCH-20140L	M20	38	60	22X140	70	25	35	M24	18	M24X100L	27X50
PMCH-20160S	M20	38	60	22X160	90	30	35	M24	20	M24X60L	27X50
PMCH-20160L	M20	45	60	22X160	90	30	35	M24	18	M24X100L	27X50
PMCH-20200	M20	45	60	22X200	110	30	45	M24	22	M24X100L	27X50
PMCH-24200	M24	48	78	26X200	105	35	45	M27	25	M27X100L	30X55

**Order Type :-** Code

**Example :-** PMCH - 20160L

## ► Universal Clamp - PUC

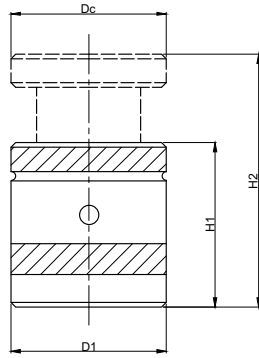


**Material :-** Casting (CI) Grade FG260  
**Hardness :-** 180 - 200 BHN

Type	T-Slot size A	d x Pitch x L	Clamping range B	Length of clamp C	Breadth of clamp	Tightening Torque Nm Max.	Clamping Force Max. Kgs	N.W Kgs
PUC-12A	12	M12 x 1.75 x 100	0 - 60	105	42	90	2000	0.84
PUC-12B	14	M12 x 1.75 x 100	0 - 60	105	42	90	2000	0.86
PUC-16A	16	M16 x 2.0 x 130	0 - 80	130	50	210	3200	1.73
PUC-16B	18	M16 x 2.0 x 130	0 - 80	130	50	210	3200	1.74
PUC-20A	20	M20 x 2.5 x 150	0 - 100	160	55	410	5000	2.45
PUC-20B	22	M20 x 2.5 x 150	0 - 100	160	55	410	5000	2.48
PUC-24A	24	M24 x 3.0 x 210	0 - 120	190	65	730	6000	4.39
PUC-24B	28	M24 x 3.0 x 210	0 - 120	190	65	730	6000	4.68

**Order Type :-** Code  
**Example :-** PUC - 24A

## ► Screw Jack (PCSJ)

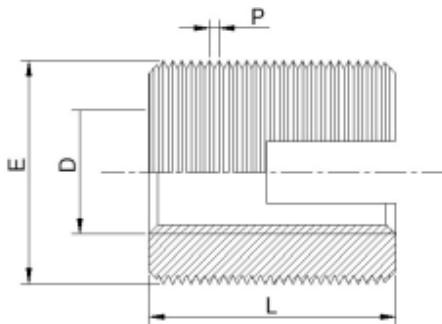


**Material :-** EN8D  
**Hardness :-** 28 - 30 HRC

**Order Type :-** Code X Range  
**Example :-** PCSJ X 50-70

Code	Range H1 - H2 mm	Base Dia. D1 mm	Cap Dia. Dc mm	Static load max Kn
PCSJ	40-50	32	32	12
	50-70	50	50	60
	70-100	50	50	60
	100-140	70	70	100

## ► Self Tap Thread Inserts



**Material :-** Steel & Stainless Steel

**Order Type :-** Code  
**Example :-** PATI M12

Internal Thread	External Length Thread		Minimum	borehole depth for blind holes	Code	
	D	E				P
M 2		4.5	0.5	6	8	PATI M2
M 2.5		4.5	0.5	6	8	PATI M2.5
M 3		5	0.5	6	8	PATI M3
M 3.5		6	0.75	8	10	PATI M3.5
M 4		6.5	0.75	8	10	PATI M4
M 5		8	1	10	13	PATI M5
M 6(a)		9	1	12	15	PATI M6(a)
M 6		10	1.5	14	17	PATI M6
M 8		12	1.5	15	18	PATI M8
M 10		14	1.5	18	22	PATI M10
M 12		16	1.5	22	26	PATI M12
M 14		18	1.5	24	28	PATI M14
M 16		20	1.5	22	26	PATI M16
M 18		22	1.5	24	29	PATI M18
M 20		26	1.5	27	32	PATI M20
M 22		26	1.5	30	36	PATI M22
M 24		30	1.5	30	36	PATI M24
M 27		34	1.5	30	36	PATI M27
M 30		36	1.5	40	46	PATI M30